

Model list:

MODELS LIST	X3-Hybrid-5.0-D/M	X3-Hybrid-6.0-D/M	X3-Hybrid-8.0-D/M	X3-Hybrid-10.0-D/M	X3-Hybrid-12.0-D/M	X3-Hybrid-15.0-D/M
INPUT PV						
Max.recommended DC power[M]	A:4000/B:4000	A:5000/B:5000	A:7000/B:5000	A:9000/B:6000	A:11000/B:7000	A:11000/B:7000
Max.DC voltage[V]	1000					
Norminal DC operating voltage[V]	630					
Max. input current(input A/input B)[A]	A:16/B:16	A:16/B:16	A:26/B:16	A:26/B:16	A:26/B:16	A:26/B:16
Max. short circuit current(input A/input B)[A]	A:18/B:18	A:18/B:18	A:30/B:18	A:30/B:18	A:30/B:18	A:30/B:18
MPPT voltage range[V]	180-950	180-950	180-950	180-950	180-950	180-950
MPPT voltage range[V](fall load)	330-800	330-800	330-800	330-800	330-800	380-800
Start input voltage[V]	160	160	160	160	160	160
Start output voltage[V]	200	200	200	200	200	200
Shut down input voltage[V]	150	150	150	150	150	150
No. of MPP trackers	2	2	2	2	2	2
Strings per MPP tracker	A:1/B:1	A:1/B:1	A:2/B:1	A:2/B:1	A:2/B:1	A:2/B:2
OUTPUT AC						
Norminal AC power[VA]	5000	6000	8000	10000	12000	15000
Max. apparent AC power[VA]	5500	6600	8800	11000	13200	15000
Rated grid voltage(AC voltage range)[V]	400V/380					
Rated grid Frequency[Hz]	50/60					
Norminal AC current[A]	7.2	8.7	11.6	14.5	17.5	21.8
Max. AC current[A]	8.1	9.7	12.9	16.1	19.3	24.1
Displacement power factor	~1 (Adjustable from 0.8 leading to 0.8 lagging)					
INPUT AC						
Norminal AC power[VA]	10000	12000	16000	20000	20000	20000
Norminal AC current[A] (E Version & C Version)	14.5	17.5	23.2	29.0	29.0	29.0
Max. AC current[A] (E Version & C Version)	16.1	19.3	25.8	32.0	32.0	32.0
Rated grid voltage(AC voltage range)[V]	415/400V/380					
Rated grid Frequency[Hz]	50/60					
Power factor	~1 (Adjustable from 0.8 leading to 0.8 lagging)					
BATTERY						
Battery voltage range[V]	180-650					
Recommended battery voltage[V]	400VDC					
Max.charge/discharge power[W]	5000/5500	6000/6500	8000/8500	10000/10500	12000/12500	15000/15500
Max.charge/discharge current[A]	30A					
Peak charge/discharge current[A]	30A					
Communication interfaces	CAN/ RS485					
Reverse connect protection	YES					

Off-grid Output(WITH BATTERY)						
Off-grid MAX power[VA]	5000	6000	8000	10000	12000	15000
Off-grid rated power[VA]	5000	6000	8000	10000	12000	15000
Off-grid rated voltage[V],Frequency[Hz]	400V/230VAC ,50/60					
Off-grid rated current[A]	7.2	8.7	11.6	14.5	17.5	21.8
Off-grid peak power[W]	7500,60s	9000, 60S	12000,60S	15000, 60S	15000, 60S	16500, 60S
POWER CONSUMPTION						
Internal consumption(night) [W]	<20W for hot standby, < 3W for cold standby					
Idle mode	YES					
ENVIRONMENT LIMIT						
Protection class	IP65					
Operating temperature range[°C]	- 35°C...60°C (derating at +45°C, charge derating at +35°C)					
Humidity[%]	0~100 (non-condensing)					
Altitude[m]	≤3000					
Storage temperature[°C]	- 35°C...60°C					
Noise emission(typical)[dB]	<40			<50		
Over voltage category	III(electric supply side), II(PV side)					
GENERAL						
Demensions(WxHxD) [mm]	503*199*503					
Weight [kg]	30					
Cooling concept	Nature Convection			Fan		
Topology	Transformerless					
LCD display	Bcaklight 20*4 character					

MODELS LIST	X3-Fit-6.0-W/M	X3- Fit -8.0-W/M	X3- Fit -10.0-W/M	X3- Fit -15.0-W/M
OUTPUT AC				
Norminal AC power[VA]	6000	8000	10000	15000
Max. apparent AC power[VA]	6600	8800	11000	15000
Rated grid voltage(AC voltage range)[V]	400V/380			
Rated grid Frequency[Hz]	50/60			
Norminal AC current[A]	8.7	11.6	14.5	21.8
Max. AC current[A]	9.7	12.9	16.1	24.1
Displacement power factor	~1 (Adjustable from 0.8 leading to 0.8 lagging)			
INPUT AC				
Norminal AC power[VA]	12000	16000	20000	20000
Norminal AC current[A] (E Version & C Version)	17.5	23.2	29.0	29.0
Max. AC current[A] (E Version & C Version)	19.3	25.8	32.0	32.0
Rated grid voltage(AC voltage range)[V]	415/400V/380			
Rated grid Frequency[Hz]	50/60			
Power factor	~1 (Adjustable from 0.8 leading to 0.8 lagging)			
BATTERY				
Battery voltage range[V]	180-650			
Recommended battery voltage[V]	400VDC			
Max.charge/discharge	6000/6500	8000/8500	10000/10500	15000/15500

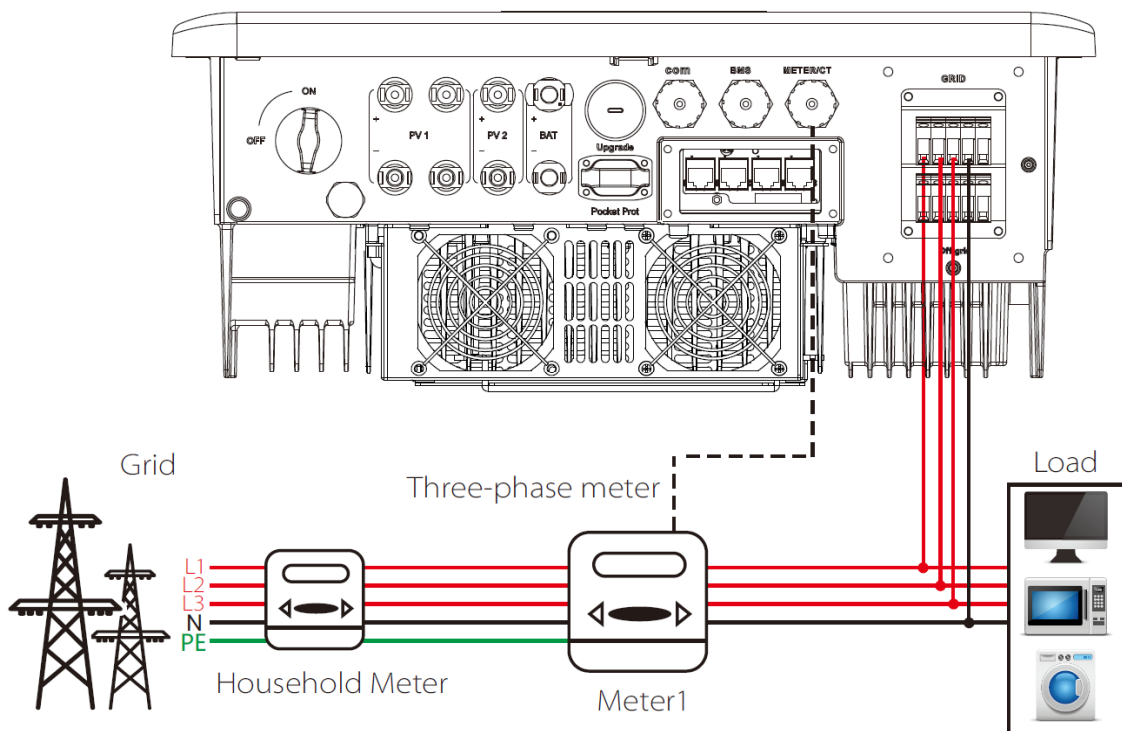
power[W]				
Max.charge/discharge current[A]	30A			
Peak charge/discharge current[A]	30A			
Communication interfaces	CAN/ RS485			
Reverse connect protection	YES			
Off-grid Output(WITH BATTERY)				
Off-grid MAX power[VA]	6000	8000	10000	15000
Off-grid rated power[VA]	6000	8000	10000	15000
Off-grid rated voltage[V],Frequency[Hz]	400V/230VAC ,50/60			
Off-grid rated current[A]	8.7	11.6	14.5	21.8
Off-grid peak power[W]	9000, 60S	12000,60S	15000, 60S	16500, 60S
POWER CONSUMPTION				
Internal consumption(night) [W]	<20W for hot standby, < 3W for cold standby			
Idle mode	YES			
ENVIRONMENT LIMIT				
Protection class	IP65			
Operating temperature range[°C]	- 35°C...60°C (derating at +45°C, charge derating at +35°C)			
Humidity[%]	0~ 100 (non-condensing)			
Altitude[m]	≤3000			
Storage temperature[°C]	- 35°C...60°C			
Noise emission(typical)[dB]	<40		<50	
Over voltage category	III(electric supply side), II(PV side)			
GENERAL				
Demensions(WxHxD) [mm]	503*199*503			
Weight [kg]	30			
Cooling concept	Nature Convection		Fan	
Topology	Transformerless			
LCD display	Bcaklight 20*4 character			

Información general del transductor de corriente externo / medidor de potencia ¹⁾ General information of external current transductor/ power meter	
Fabricante Manufacturer	CHNT
Modelo Model	DTSU666
Aplicación Application	3 Phase
Tensión nominal Nominal voltage	230 Vac
Corriente máxima Max. current	80A
Clase de precisión Class of accuracy	Class 1
Tipo de comunicación Type of communication	RS485

Información general del transductor de corriente externo / medidor de potencia ¹⁾ General information of external current transductor/ power meter	
Fabricante Manufacturer	YUANXING
Modelo Model	CTSA016-100A/33.33mA
Aplicación Application	3 Phase
Tensión nominal Nominal voltage	230 Vac
Corriente máxima Max. current	200A
Clase de precisión Class of accuracy	Class 0.5
Tipo de comunicación Type of communication	RS485

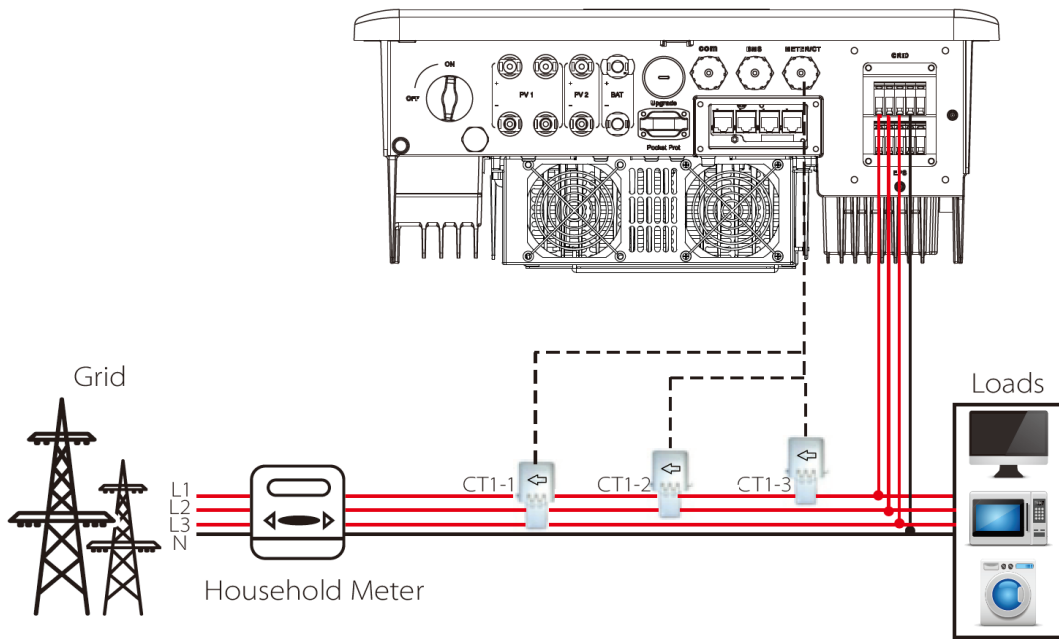
Esquema básico del sistema ¹⁾
 Basic system diagram

DTSU666



CTSA016-100A/33.33mA

PV inverter with CTSA016-100A/33.33mA



***) Para cumplir los requisitos de RD244: 2019 / ANEXO I y UNE 217001:2020, se instalará el dispositivo adicional.**
 For fulfill the requirements of RD244 : 2019/ ANEXO I and UNE 217001:2020, the additional device shall be installed.