



Technical Data

roof hook vario2 111-9-40 complete

Material - Characteristics

description: roof hook vario2 111-9-40 complete
art.-no.: 30-600-03

Product Data

material identification EN AW-6082 T
(EN AW-ALSi 1MgMr)

mechanical values:

| | | | |
|--|----------------------------|---|-----------|
| F_{ser} working load | limit of deflection to 5mm | = | 1260,00N |
| F_{rd} pressure parallel to the roof | | = | 700,00N |
| F_{rd} pressure vertical to the roof | | = | 1500,00N |
| F_{rd} tension vertical to the roof | | = | -1500,00N |

general values:

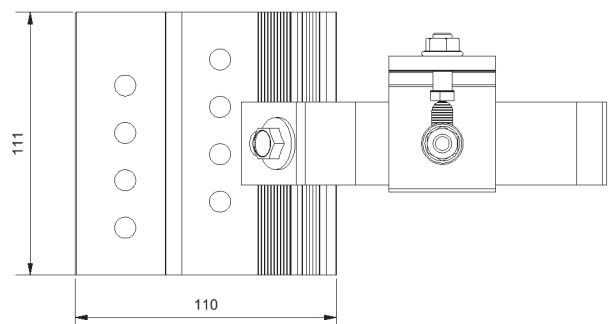
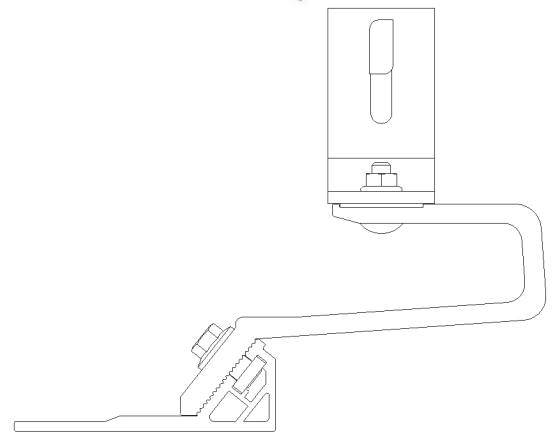
| | | |
|--------|---|----------|
| length | = | 225,00mm |
| wide | = | 111,00mm |
| hight | = | 179,00mm |
| weight | = | 0,630kg |

notice:

tightening torque: 20-25 Nm (M10x20)
tightening torque: 12-15 Nm (M8x25)
max. height compensation: 40-51,5 mm in the area of roof panels
max. height compensation: 21 mm in the area of profiles
static values of the items on request

fitting:

hexagon screw M10x20 similar DIN 6921 SW13 A2-70
cup square bolt M8x25 A2-70 DIN 603
T-bolt M8x25 28/15 A2-70
plate 3x35 l=35 d=10,5



Execution Class according to Eurocode and EN 1090, parts 1 and 3: EXC 2