

Insulated Panels  
UK & Ireland

Protected by



# Kingspan PowerRail RW Product Data Sheet

Rooftop Solar PV Mounting Solution



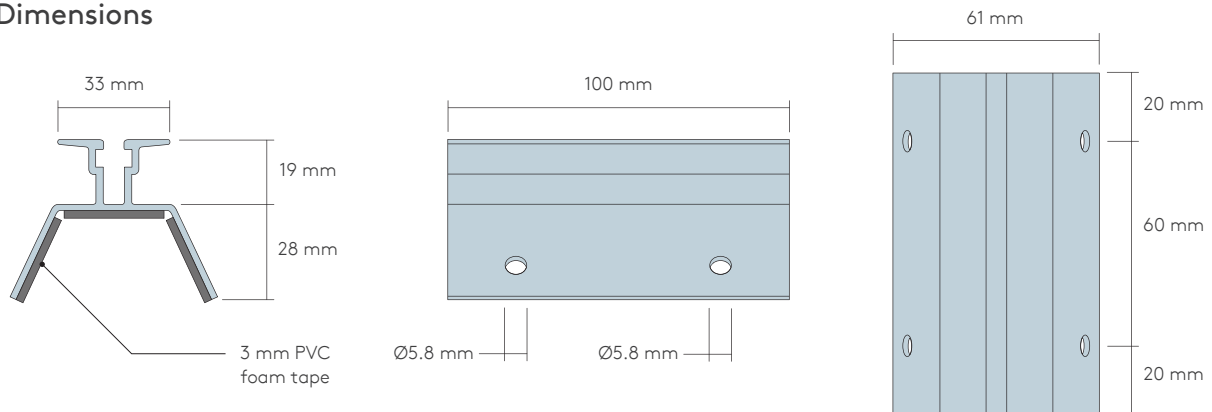
# Product Data

## Applications

Kingspan PowerRail RW has been developed specifically for the mounting of solar PV modules on to QuadCore® KS1000RW Roof Panels.



## Dimensions



## Weight

- <math><1 \text{ kg/m}^2</math>

## Certification and Testing

Kingspan PowerRail RW is a new product and will undergo a series of testing and certifications. Please consult our team or your local Kingspan representative regarding the latest testing and accreditation the product has achieved.

Kingspan PowerRail RW has been tested to:

- EN 14437: 2004 - Determination of the uplift resistance of installed clay or concrete tiles for roofing - Roof system test method.
- CEN/TR 15601: 2012 - Hygrothermal performance of buildings - Resistance to wind-driven rain of roof coverings with discontinuously laid small elements - Test method.

Kingspan PowerRail RW is certified to MCS 012 product certification scheme requirements for pitched roof installation kits. Kingspan PowerRail RW is registered under the certification number KIWA00049/001 IK.



## Insurer Approvals

Kingspan PowerRail RW has been tested to:

- FM Approvals Class 4478 - Roof-Mounted Rigid Photovoltaic Module Systems - under the certified name PowerPlus KS1000RW.

Insurer approvals are large scale testing regimes that provide objective third-party testing, which is underpinned by quarterly, bi-annual and annual factory surveillance audits (depending on the region) to verify compliance. Insurer approvals are subject to panel thickness, cover width, orientation, method of assembly, steel coating and manufacturing facility. Please contact Kingspan Tech-eXchange for further information.



## Materials

- A2 stainless steel fixings.
- PVC foam tape.
- Aluminium (EN AW-6060 T6).

## Warranty

Kingspan PowerRail RW carries a manufacturer warranty of up to 25 years.

QuadCore® KS1000RW Roof Panel coating warranty will be fully retained when using Kingspan PowerRail RW in line with the correct installation and maintenance methods outlined in the Product Install Guide provided by Kingspan.

## Fixings

- High quality stainless steel grade A2 to ISO 3506, EN 1.4301 to ISO 10088 and AISI 304.
- High quality hardened carbon steel drill point.
- Pierce point geometry designed to minimise swarf generation.
- S16 stainless / EPDM vulcanised sealing washers.
- 8 mm Hex.

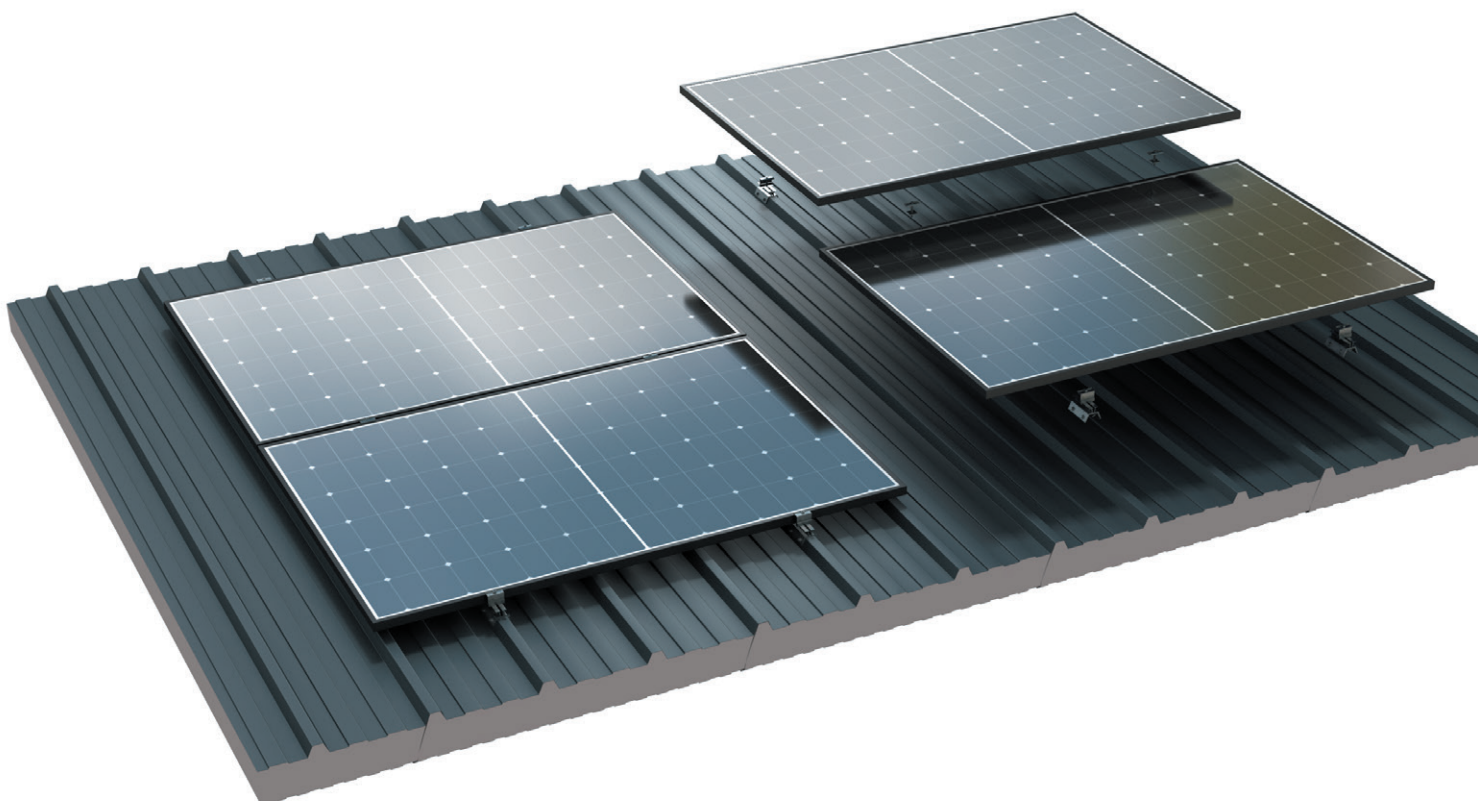
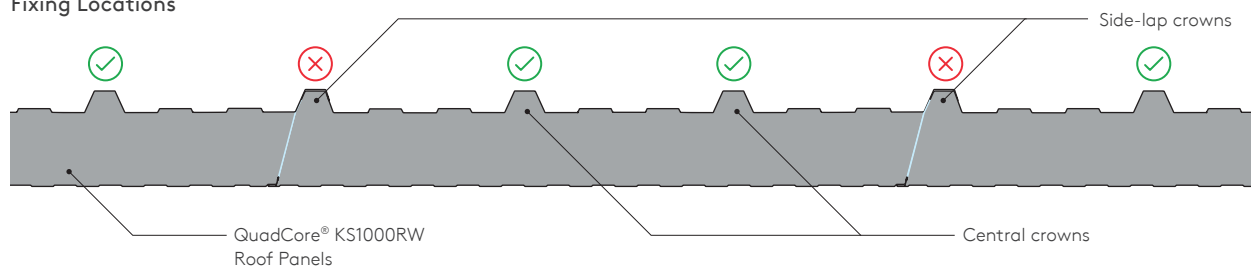
## Installation

Consideration should be given to the layout of a solar PV array in order to maintain the integrity of all weather seals and coatings of QuadCore® KS1000RW Roof Panels.

Kingspan PowerRail RW has been developed specifically for the mounting of solar PV modules on QuadCore® KS1000RW Roof Panels.

Kingspan PowerRail RW is designed to be fixed ONLY to the central crowns of QuadCore® KS1000RW Roof Panels and should NOT be installed into the end lap between two QuadCore® KS1000RW Roof Panels, see below.

### Fixing Locations



---

# Contact Details

---

## UK

**Kingspan Limited**  
Greenfield Business Park No. 2  
Greenfield | Holywell | Flintshire  
North Wales | CH8 7GJ

T: +44 (0) 1352 716100  
E: [info@kingspanpanels.com](mailto:info@kingspanpanels.com)  
[www.kingspanpanels.co.uk](http://www.kingspanpanels.co.uk)



---

## Ireland

**Kingspan Limited**  
Carrickmacross Road | Kingscourt  
Co. Cavan | A82 E897

T: +353 (0) 42 96 98500  
E: [info.ire@kingspanpanels.com](mailto:info.ire@kingspanpanels.com)  
[www.kingspanpanels.ie](http://www.kingspanpanels.ie)



Please scan for the most up to date version of this document.

For the product offering in other markets please contact your local sales representative or visit [www.kingspanpanels.com](http://www.kingspanpanels.com)

Care has been taken to ensure that the contents of this publication are accurate, but Kingspan Limited and its subsidiary companies do not accept responsibility for errors or for information that is found to be misleading. Suggestions for, or description of, the end use or application of products or methods of working are for information only and Kingspan Limited and its subsidiaries accept no liability in respect thereof.

