

Insulated Panels
UK & Ireland

Protected by



Kingspan PowerRail Product Data Sheet

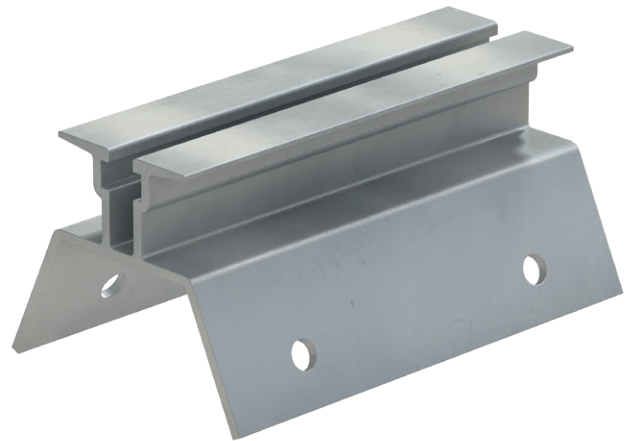
Rooftop Solar PV Mounting Solution



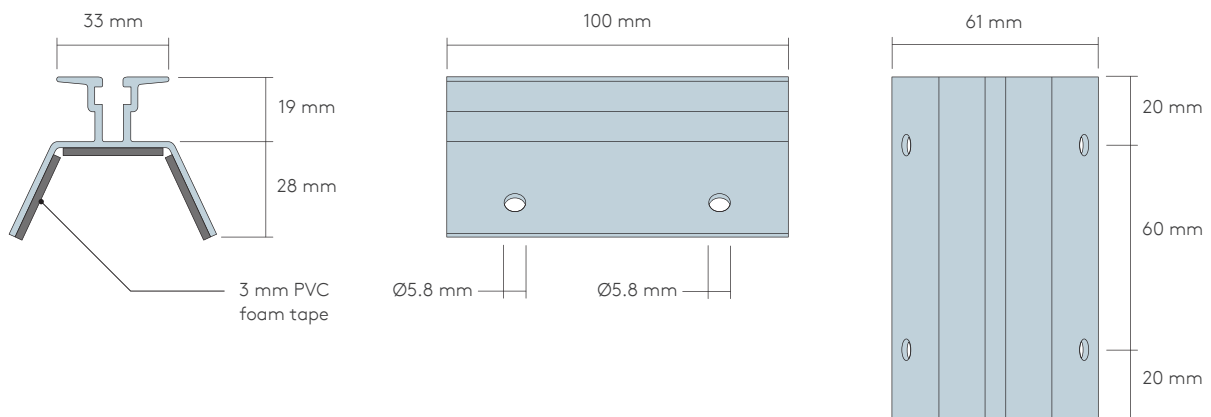
Product Data

Applications

Kingspan PowerRail has been developed specifically for the mounting of solar PV modules on to QuadCore® KS1000RW Roof Panels.



Dimensions



Weight

- <math><1 \text{ kg/m}^2</math>

Certification and Testing

Kingspan PowerRail is a new product and will undergo a series of testing and certifications. Please consult Kingspan Tech-eXchange or your local Kingspan Commercial Representative regarding the latest testing and accreditation the product has achieved.

Materials

- A2 stainless steel fixings.
- PVC foam tape.
- Aluminium (EN AW-6060 T6).

Warranty

Kingspan PowerRail carries a manufacturer warranty of up to 25 years.

QuadCore® KS1000RW Roof Panel coating warranty will be fully retained when using Kingspan PowerRail in line with the correct installation and maintenance methods outlined in the Product Install Guide provided by Kingspan.

Fixings

- High quality stainless steel grade A2 to ISO 3506, EN 1.4301 to ISO 10088 and AISI 304.
- High quality hardened carbon steel drill point.
- Pierce point geometry designed to minimise swarf generation.
- S16 stainless / EPDM vulcanised sealing washers.
- 8 mm Hex.

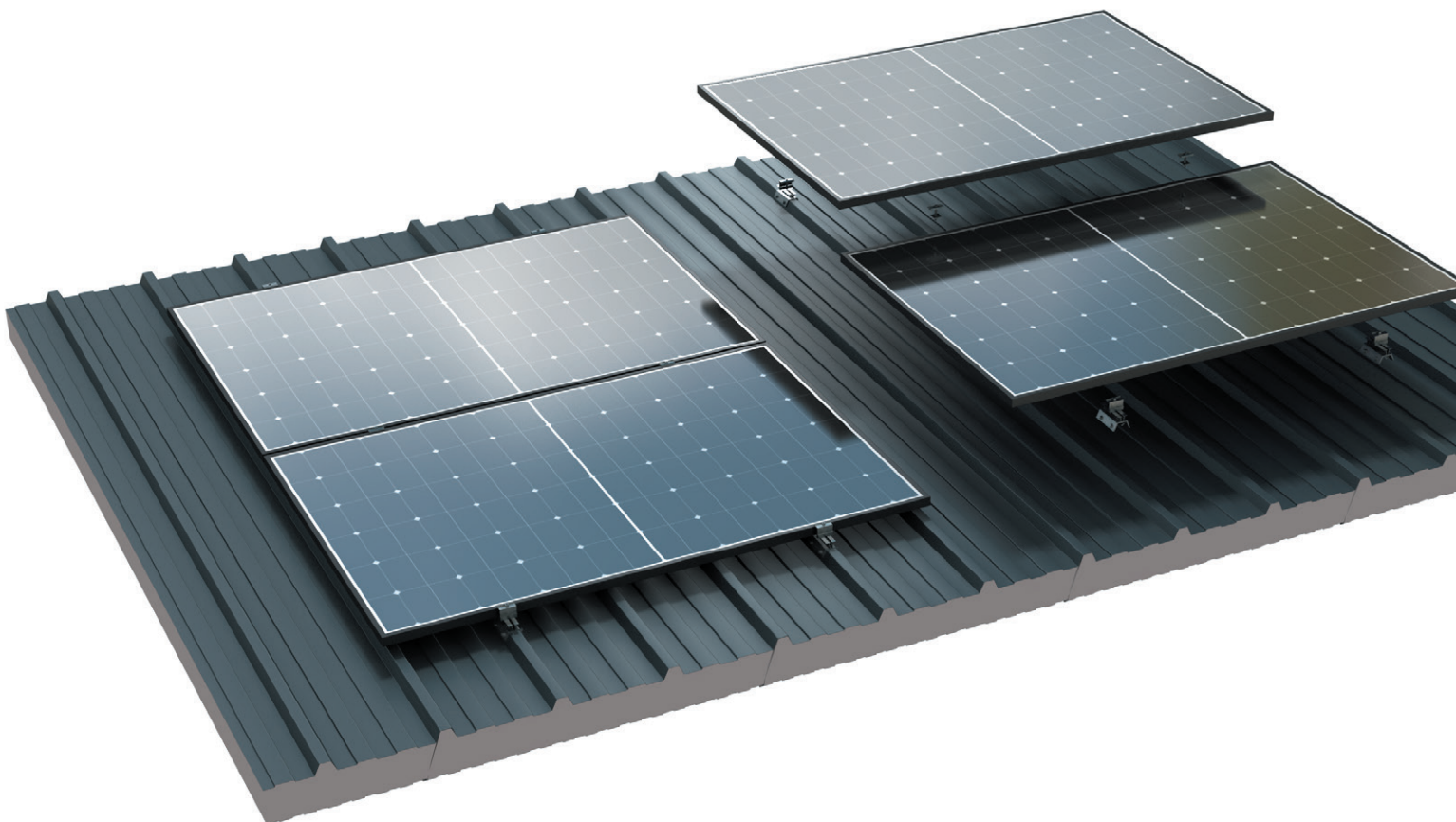
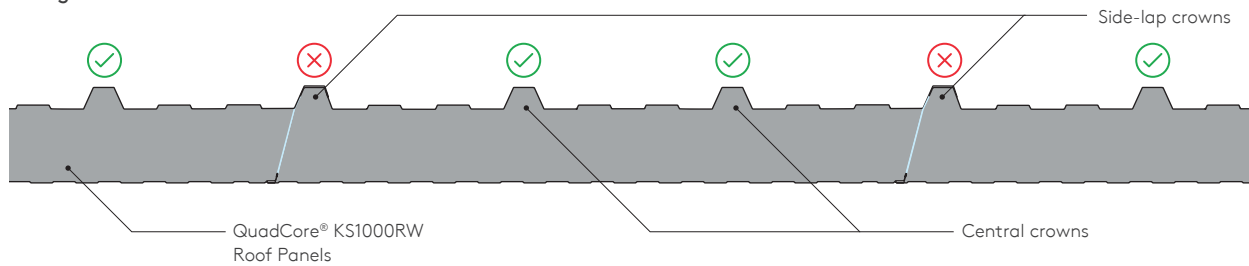
Installation

Consideration should be given to the layout of a solar PV array in order to maintain the integrity of all weather seals and coatings of QuadCore® KS1000RW Roof Panels.

Kingspan PowerRail has been developed specifically for the mounting of solar PV modules on QuadCore® KS1000RW Roof Panels.

Kingspan PowerRail is designed to be fixed ONLY to the central crowns of QuadCore® KS1000RW Roof Panels and should NOT be installed into the end lap between two QuadCore® KS1000RW Roof Panels, see below.

Fixing Locations



Contact Details

UK

Kingspan Limited
Greenfield Business Park No. 2
Greenfield | Holywell | Flintshire
North Wales | CH8 7GJ

T: +44 (0) 1352 716100
E: info@kingspanpanels.com
www.kingspanpanels.co.uk



Ireland

Kingspan Limited
Carrickmacross Road | Kingscourt
Co. Cavan | A82 E897

T: +353 (0) 42 96 98500
E: info.ire@kingspanpanels.com
www.kingspanpanels.ie



Please scan for the most up to date version of this document.

For the product offering in other markets please contact your local sales representative or visit www.kingspanpanels.com

Care has been taken to ensure that the contents of this publication are accurate, but Kingspan Limited and its subsidiary companies do not accept responsibility for errors or for information that is found to be misleading. Suggestions for, or description of, the end use or application of products or methods of working are for information only and Kingspan Limited and its subsidiaries accept no liability in respect thereof.

